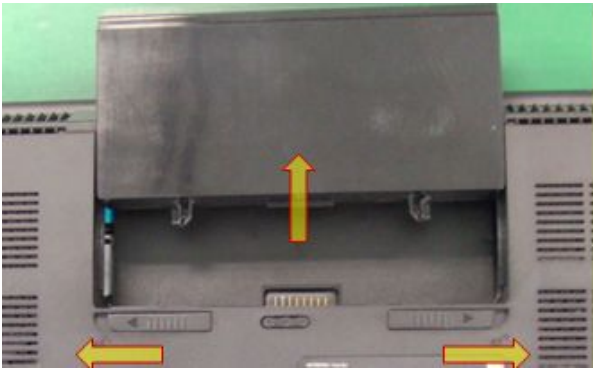


3. Desassembly and Reassembly

3.1. MainSystem

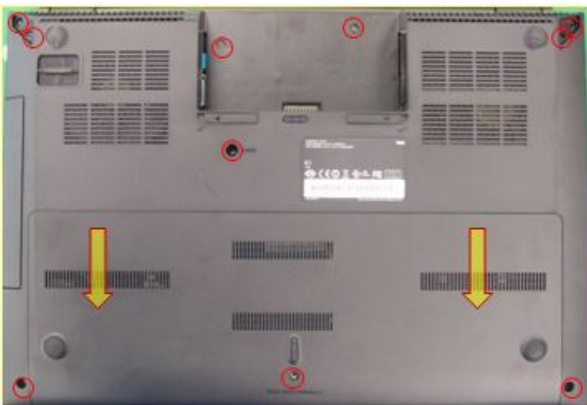
- 1. Turn off the power and remove the Battery before disassembling the system.



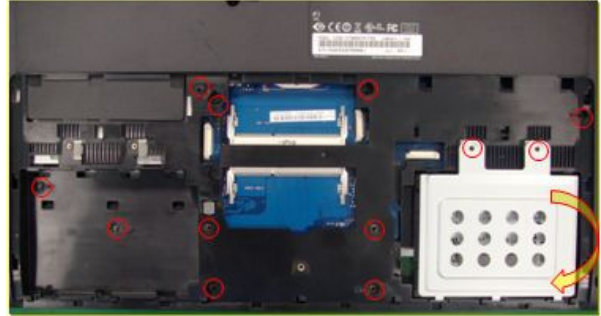
- 2. Remove the dummy-SD CARD before disassembling.



- 3. At the bottom side, Remove 10 Screw to disassemble .



- 4. Open the HDD door to disassemble. And remove 12 Screw & HDD protect cover.



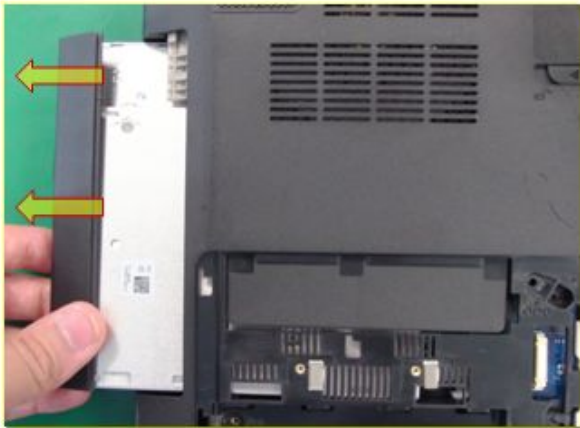
- 5. HDD Removal : Disconnect the HDD Cable and remove the HDD from system.



- 5-1. Remove remain 2 screws to disassemble.



6. Disassemble ODD from system. Pull ODD to left.



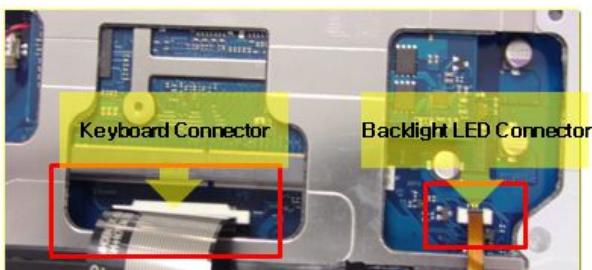
- 6-1. Remove the 2 remain screw.



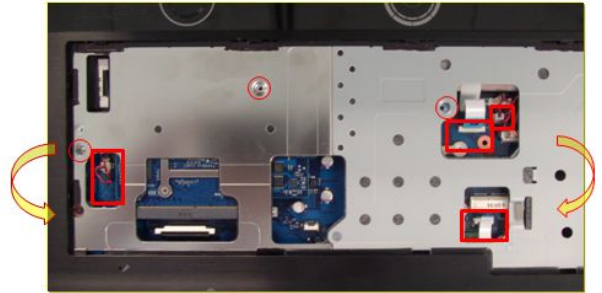
7. Push each point with pinset, and flip the keyboard to disconnect the FFC Cable.



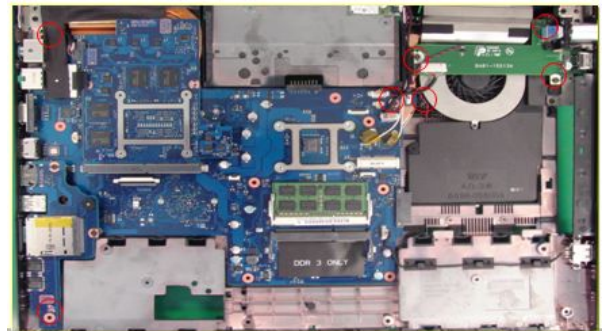
- 7-1. After Reverse the Keyboard, Disconnect two FFC Cable. This connector is straight type. Before remove FFC Cable, pull the connector.



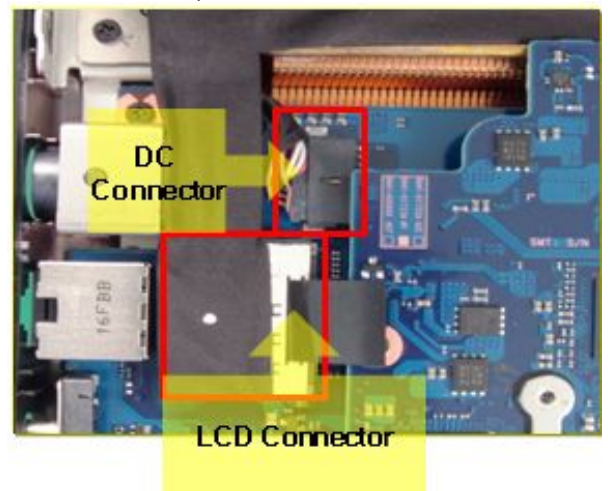
8. Remove 3 screws, at ○ point. Disconnect 2 FFC Cable & 2 speaker Cable, at □ Point. After this, open the top assy from bottom.



9. Remove 7 screw to disassemble.



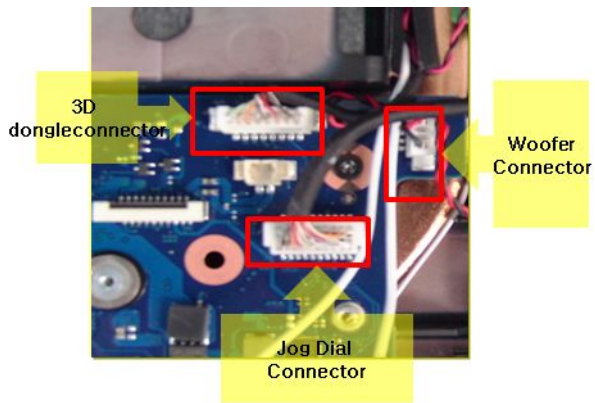
10. Remove 2 Cables, DC Cable & LCD Cable



11. Remove 1 screw to disassemble. and Disconnect Antenna cable from WLAN Module



12. Disconnect 3 cable from M/B.



13. After disconnect, you can separate M/B from Bottom ASSY. And Disconnect Fan Cable and Heat Sin.

